



FN9620

Force Load Cell

Specifications

- High tensile strength Stainless Steel
- Quick availability & stock
- $\pm 500\text{N}$ to $\pm 10,000\text{N}$ range
- Non-linearity $\pm 0.05\%$ FS
- Strain gage $350\ \Omega$ bridge
- Integral shielded cable

The Model FN9620 is a S-Beam load cell with ranges from 500N to 10kN, designed to operate in hostile environments from -40 to 90°C with IP68 ingress protection.

It provides high stiffness for high cycle use, low off-axis load sensitivity and high level of accuracy.

To ease its use for Process Control Automation equipment, the sensor's sensitivity (in mV/V) is calibrated with 2% tolerance.

Features

- High tensile strength Stainless Steel
- Metric or Imperial thread
- Safe over load 300%
- 10Vdc Excitation Voltage
- -40 to 90°C temperature operating range
- 3 meters Integral cable
- IP68-1m water column

Applications

- Structure Testing
- Test Benches
- Process Control & Automation
- Mechanical resistance of materials
- Laboratory and Research

Performance Specifications

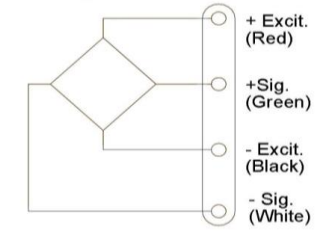
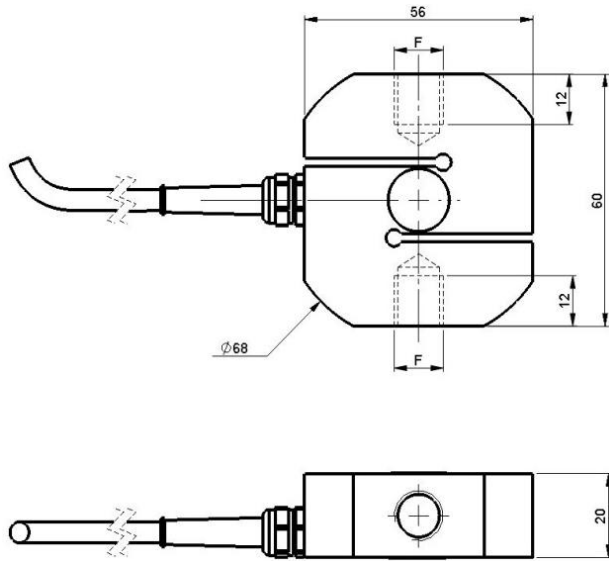
Range (FS)	kN	0.5	1	2	5	10
Over range	% FS	150				
Rated output	mV/V	1 ±2%	2 ±2%			
Excitation voltage	Vdc	10				
Excitation voltage min/max	Vdc	2 / 12				
Bridge resistance	Ω	350				
Bridge resistance min/max	Ω	340/450				
Zero balance	±% FS	2				
Insulation	>MΩ	5000				
Non Linearity	±% FS	0.05				
Hysteresis	±% FS	0.03				
Repeatability	±%	0.02				
Symmetry	±%	0.25				
Creep (20mn)	%	0.025				
Side Load sensitivity *	%	1				
Eccentric Load sensitivity	%/mm	0.1				
Safe overload	%	300				
Deflection	mm	0.033	0.065	0.075	0.08	0.13
Stiffness	N/m	1.5.10 ⁷	1.5.10 ⁷	2.6.10 ⁷	6.2.10 ⁷	7.6.10 ⁷
Natural frequency	KHz	1	1	1.25	1.95	2.15
Operating temperature range	°C	-40 to +90				
Compensated temperature range	°C	-10 to +45				
Effect on zero	±% FS/°C	0.008	0.004			
Effect on Output	±% /°C	0.01	0.005			
Protection		IP68 – 1m water column – 100h				
Side load limit	% FS	100				
Bending moment limit	N.m	15	30	60	150	300
Weight (without cable)	kg	0.45				
Cable length**	m	3				
Material		Stainless steel				

* Load = 10% range

** 4 conductors shielded Ø5 - neoprene jacket (braid not connected to sensor body)

All values are typical

Dimensions (mm)



Thread	F
Metric	M12x1.75-6H
Imperial	1/2-20UNF-2B

Ordering Information

Part Number
(Model Number + Thread Type + Range)

FN9620 – M – 10KN

Thread F

M	M12x1.75-6H
X	1/2-20UNF-2B

Range in kN

0.5	0.5
1	1
2	2
5	5
10	10

NORTH AMERICA

Measurement Specialties, Inc.,
a TE Connectivity Company
1000 Lucas Way
Hampton, VA 23666 USA
Tel +1 757 766 1500
Fax +1 757 766 4297
info.hampton@meas-spec.com

EUROPE

Measurement Specialties (Europe), Ltd.,
a TE Connectivity Company
26 rue des dames
78340 Les Clayes sous Bois France
Tel +33 (0) 130 793 300
cs.lcsb@meas-spec.com

ASIA

北京赛斯维测控技术有限公司
北京市朝阳区望京西路48号
金隅国际D302
电话：+86 010 8477 5646
传真：+86 010 5894 9029
邮箱：sales@sensorway.cn
<http://www.sensorway.cn>

TE.com/sensorsolutions

Measurement Specialties, Inc., a TE Connectivity company.

Measurement Specialties, TE Connectivity, TE Connectivity (logo) and EVERY CONNECTION COUNTS are trademarks. All other logos, products and/or company names referred to herein might be trademarks of their respective owners.

The information given herein, including drawings, illustrations and schematics which are intended for illustration purposes only, is believed to be reliable. However, TE Connectivity makes no warranties as to its accuracy or completeness and disclaims any liability in connection with its use. TE Connectivity's obligations shall only be as set forth in TE Connectivity's Standard Terms and Conditions of Sale for this product and in no case will TE Connectivity be liable for any incidental, indirect or consequential damages arising out of the sale, resale, use or misuse of the product. Users of TE Connectivity products should make their own evaluation to determine the suitability of each such product for the specific application.

© 2015 TE Connectivity Ltd. family of companies All Rights Reserved.