

PT9CN

Heavy Industrial • J1939 CANbus

Linear Position/Velocity to 550 inches (1400 cm)

Aluminum or Stainless Steel Enclosure Options

VLS Option To Prevent Free-Release Damage

IP67 • NEMA 6 Protection

GENERAL

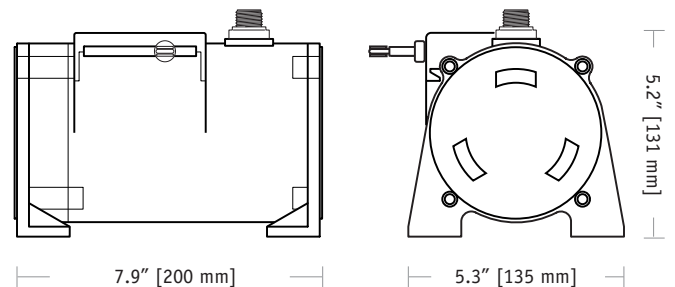
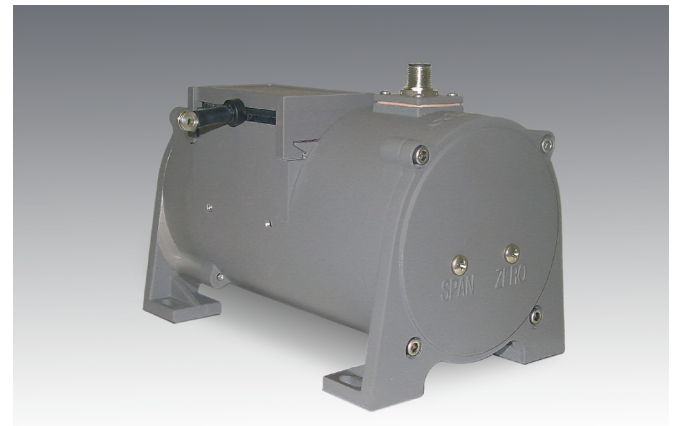
Full Stroke Range Options (on this datasheet)	0-75 to 0-550 inches
Electrical Signal Interface	CANbus SAE J1939
Protocol	Proprietary B
Accuracy	± 0.10% full stroke
Repeatability	± 0.02% full stroke
Resolution	± 0.003% full stroke
Measuring Cable Options	nylon-coated stainless steel or thermoplastic
Enclosure Material	powder-painted aluminum or stainless steel
Sensor	plastic-hybrid precision potentiometer
Potentiometer Cycle Life	≥ 250,000 cycles
Maximum Retraction Acceleration	see ordering information
Maximum Velocity	see ordering information
Weight, Aluminum (Stainless Steel) Enclosure	8 lbs. (16 lbs.), max.

ELECTRICAL

Input Voltage	7 - 18 VDC
Input Current	60 mA max.
Address Setting/Node ID	0...63 set via DIP switches
Baud Rate	125K, 250K or 500K set via DIP switches
Update Rate	10 ms. (20 ms. available, contact factory)

ENVIRONMENTAL

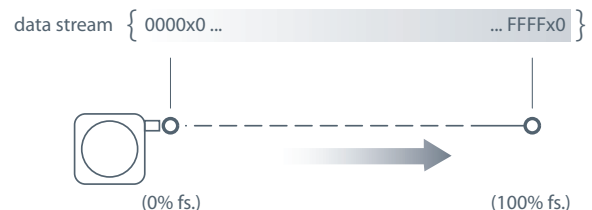
Enclosure	NEMA 4/4X/6, IP 67
Operating Temperature	-40° to 200°F (-40° to 90°C)
Vibration	up to 10 g to 2000 Hz maximum



The PT9CN communicates linear position feedback via the CANbus SAE J1939 interface. The PT9CN has been designed for factory and harsh environment applications requiring full stroke ranges up to 550".

As a member of Celesco's innovative family of NEMA 4 rated cable-extension transducers, the PT9CN installs in minutes by simply mounting it's body to a fixed surface and attaching it's cable to the movable object. Perfect parallel alignment not required.

Output Signal:



Setting the Address (Node ID) and Baud Rate

Address Setting (Node ID)

The Address Setting (Node ID) is set via 6 switches located on the 8-pole DIP switch found on the DeviceNET controller board located inside the transducer.

The DIP switch settings are binary starting with switch number 1 (= 2⁰) and ending with switch number 6 (= 2⁵).

DIP-1 (2 ⁰)	DIP-2 (2 ¹)	DIP-3 (2 ²)	DIP-4 (2 ³)	DIP-5 (2 ⁴)	DIP-6 (2 ⁵)	address (decimal)
0	0	0	0	0	0	0
1	0	0	0	0	0	1
0	1	0	0	0	0	2
...
1	1	1	1	1	1	63

Baud Rate

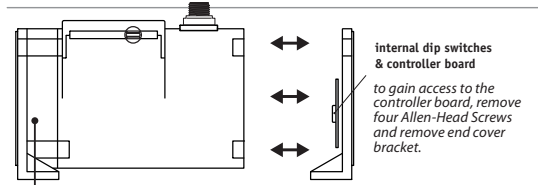
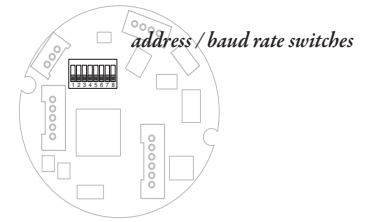
The transmission baud rate may be either factory preset at the time of order or set manually at the time of installation.

The baud rate can be set using switches 7 & 8 on the 8-pole DIP switch found on the DeviceNET controller board located inside the transducer.

DIP-7	DIP-8	baud rate
0	0	125k
1	0	250k
0	1	500k
1	1	125k

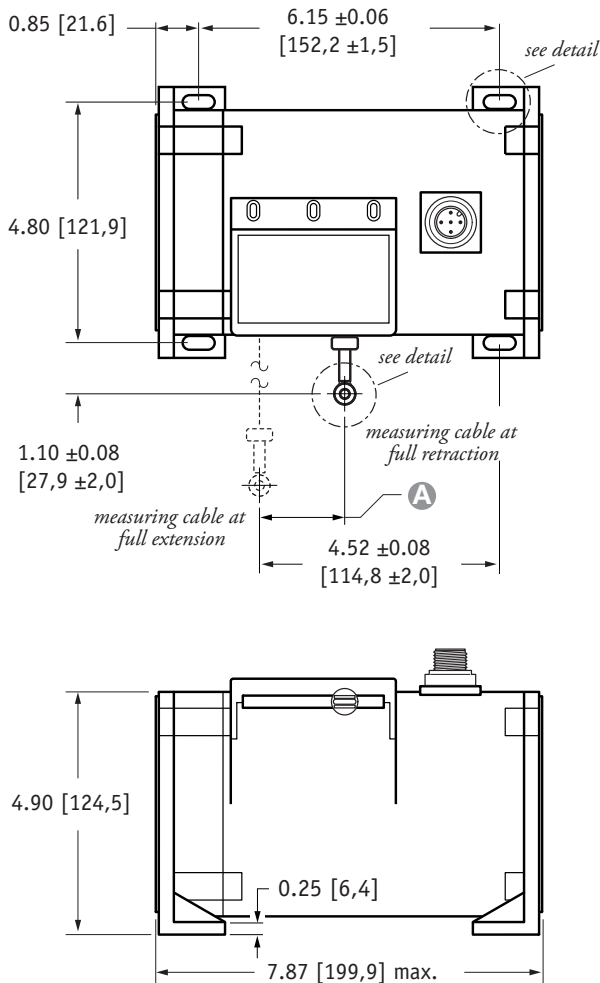


CANBus Controller Board

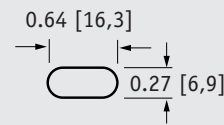


Caution! Do Not Remove Spring-Side End Cover
removing spring-side end cover could cause spring to become unseated and permanently damaged.

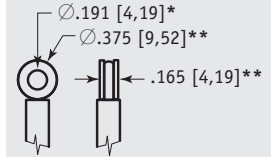
Fig. 1 – Outline Drawing (18 oz. cable tension only)



mounting hole detail

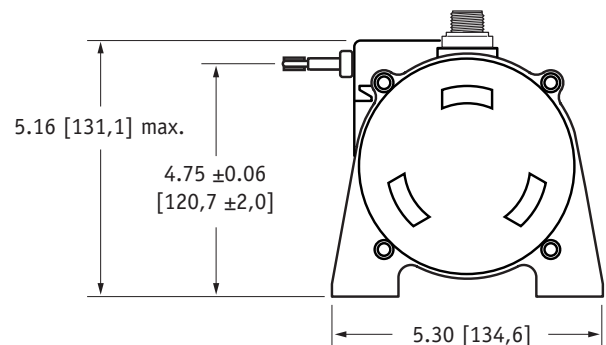


eyelet detail



A DIMENSION (INCHES)

RANGE	MEASURING CABLE			
	Ø.031 in.	Ø.034 in.	Ø.047 in.	Ø.062 in.
75	n/a	0.22	0.29	0.37
100	n/a	0.29	0.39	0.49
150	n/a	0.44	0.59	0.73
200	n/a	0.58	0.79	0.98
250	n/a	0.73	0.98	1.22
300	n/a	0.88	1.18	1.47
350	n/a	1.02	1.38	1.71
400	n/a	1.17	1.57	1.96
450	n/a	1.31	1.77	n/a
500	n/a	1.46	1.97	n/a
550	1.61	1.61	n/a	n/a



DIMENSIONS ARE IN INCHES [MM]
tolerances are 0.03 IN. [0.5 MM] unless otherwise noted.

* tolerance = +.005 -.001 [+ .13 -.03]
** tolerance = +.005 -.005 [+ .13 -.13]

Ordering Information:

Model Number:

PT9CN - _____
order code: **R** **A** **B** **G** **D** **J** **F** **E** **H**

Sample Model Number:

PT9CN - 200 - AL - N34 - 26 - FR - J - 500 - 32 - SC5

- R** range: 200 inches
- A** enclosure: aluminum
- B** measuring cable: .034 nylon-coated stainless
- G** measuring cable tension: 18 oz.
- D** cable exit: front (horizontal)
- J** interface: CANbus SAE J1939
- F** baud rate: 500 k bits/sec.
- E** node ID: 32 decimal
- H** electrical connection: 5-meter cordset with straight plug

Full Stroke Range:

R order code:	75	100	150	200	250	300	350	400	450*	500*	550*
full stroke range, min:	75 in.	100 in.	150 in.	200 in.	250 in.	300 in.	350 in.	400 in.	450 in.	500 in.	550 in.

* - 36 oz. cable tension strongly recommended

Enclosure Material:

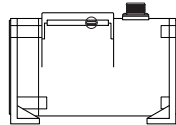
A order code:	AL	SS
	powder-painted aluminum	303 stainless

Measuring Cable:

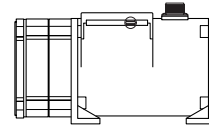
B order code:	N34	S47	V62	S31
	∅.034-inch nylon-coated stainless steel	∅.047-inch stainless steel	∅.062-inch thermoplastic	∅.031-inch stainless steel
	available in all ranges	all ranges up to 500 inches	all ranges up to 400 inches	550 inch range only

Measuring Cable Tension:

G order code:	26	52
tension (30%):	18 oz.	36 oz.
enclosure material:	aluminum stainless steel	aluminum stainless steel
max. acceleration:	1 G .33 G	5 G 2 G
max. velocity:	60 inches/sec 20 inches/sec	200 inches/sec 80 inches/sec



standard housing
see fig 1.



dual-spring housing
see fig 2.

Cable Exit:

D order code:	FR	UP	BK	DN
	front	top	back	down

Baud Rate:

F order code:	125	250	500
	125 kbaud	250 kbaud	500 kbaud

Ordering Information (cont.):

Node ID:

Ⓜ order code: 0 1 2 3 ... 61 62 63
 select address (0 - 63 Decimal)

Electrical Connection:

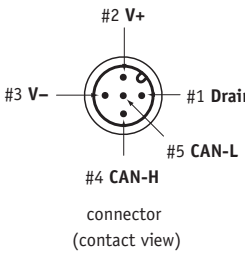
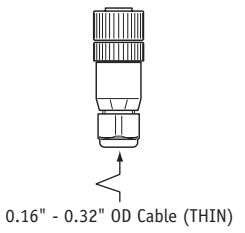
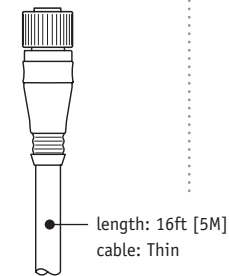
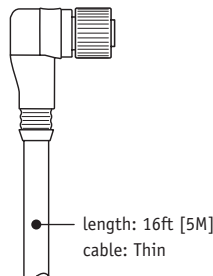
Ⓜ order code: **blank** **MC5** **SC5** **NC5**

5-pin micro-connector
(no mating plug supplied)

5-pin micro-connector
w/ mating plug

5-pin micro-connector
and 5 meter length cordset
w/straight mating plug

5-pin micro-connector
and 5 meter length cordset
w/90° mating plug

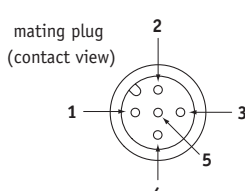
0.16" - 0.32" OD Cable (THIN)

length: 16ft [5M]
cable: Thin

length: 16ft [5M]
cable: Thin

mating plug
(contact view)

pin	signal	wire color
1	drain	brown
2	V+	white
3	V-	blue
4	Can-H	black
5	Can-L	grey



VLS Option - Free Release Protection

The patented Celesco Velocity Limiting System (VLS) is an option for PT9000 Series cable extension transducers that limits cable retraction to a safe 40 to 55 inches per second for the single spring option and 40 to 80 inches per second for the higher tension dual spring option.

The VLS option prevents the measuring cable from ever reaching a damaging velocity during an accidental free release. This option is ideal for mobile applications that require frequent cable disconnection and reconnection. It prevents expensive unscheduled downtime due to accidental cable mishandling or attachment failure.

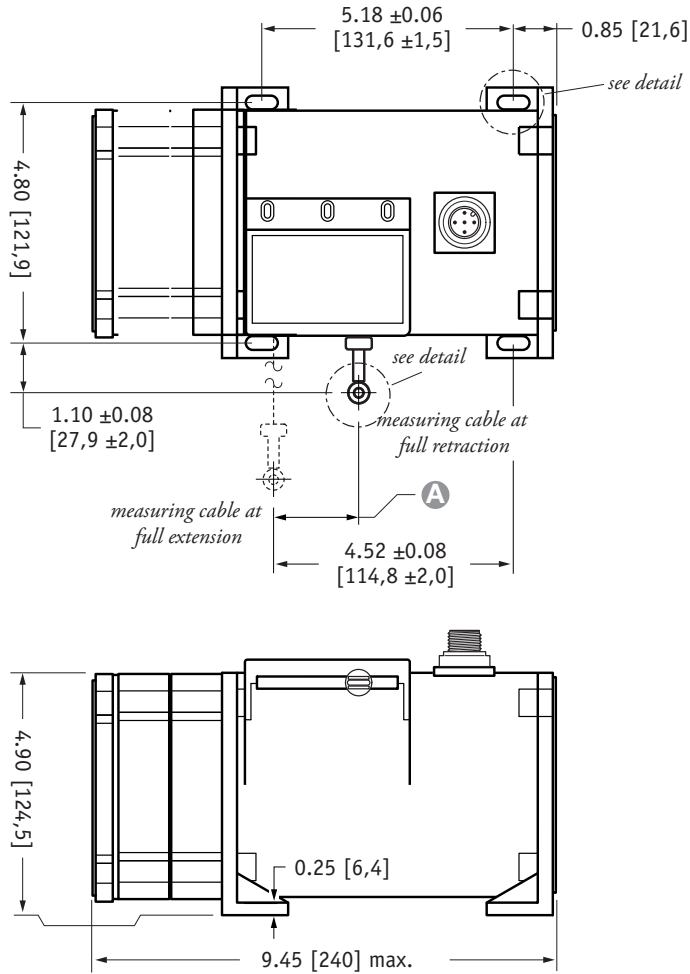
How To Configure Model Number for VLS Option:

VLS9CN - - - - - - - - - -

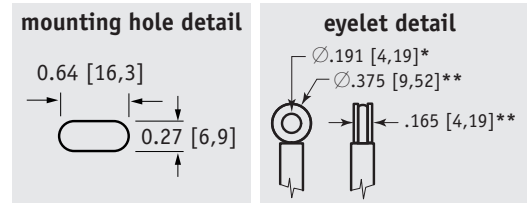
creating VLS model number (example)...

- | | |
|--------------------------------------|---------------------------------|
| 1. select PT9CN model | PT9CN-200-N34-26... |
| 2. remove "PT" from the model number | PT 9CN-200-N34-26... |
| 3. add "VLS" | VLS + CN-200-N34-26... |
| 4. completed model number ! | VLSCN-200-N34-26... |

Fig. 2 – Outline Drawing (36 oz. cable tension only)

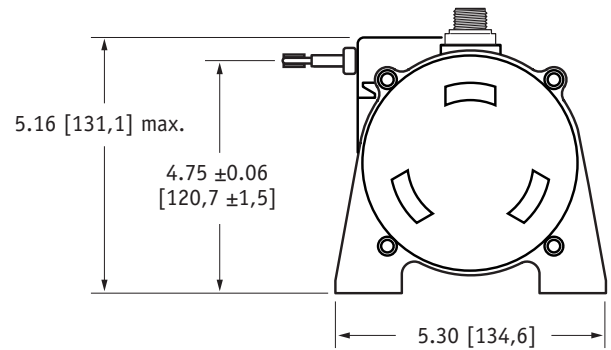


DIMENSIONS ARE IN INCHES [MM]
tolerances are 0.03 IN. [0.5 MM] unless otherwise noted.



A DIMENSION (INCHES)

MEASURING CABLE				
RANGE	Ø.031 in.	Ø.034 in.	Ø.047 in.	Ø.062 in.
75	n/a	0.22	0.29	0.37
100	n/a	0.29	0.39	0.49
150	n/a	0.44	0.59	0.73
200	n/a	0.58	0.79	0.98
250	n/a	0.73	0.98	1.22
300	n/a	0.88	1.18	1.47
350	n/a	1.02	1.38	1.71
400	n/a	1.17	1.57	1.96
450	n/a	1.31	1.77	n/a
500	n/a	1.46	1.97	n/a
550	1.61	1.61	n/a	n/a



* tolerance = +.005 -.001 [+.13 -.03]
** tolerance = +.005 -.005 [+.13 -.13]

北京赛斯维测控技术有限公司
北京市朝阳区望京西路48号
金隅国际C座1002
电话：+86 010 8477 5646
传真：+86 010 5894 9029
邮箱：sales@sensorway.cn
<http://www.sensorway.cn>

version: 10.0 last updated: August 15, 2013