

FN3002 Load Cell Tension and Compression



- Harsh industrial environment
- Standard ranges 10kN to 2000kN [2 to 400 klb]
- Very high stability
- Stainless steel or aluminum
- High IP protection available
- High level output with integrated amplifier

DESCRIPTION

The FN3002 is suitable for measuring cable tension and for use in test benches and in many industrial applications. The FN3002 with its compact dimensions and measures tension and compression in standard ranges from 10 kN to 2 000 kN [2 to 400 klb].

Numerous options are available for adaptation to severe environments, for example, IP67 or IP68 protection. A model with integrated amplifier for high-level output is also available.

With many years of experience as a designer and manufacturer of sensors, Measurement Specialties, Inc. often works with customers to design or customize sensors for specific uses and testing environments. To meet your needs we also offer complete turnkey systems. The matched components (sensor, power, amplifier and digital display) are formatted, calibrated and ready for immediate use.

FEATURES

- Static and dynamic applications
- Tension and Compression
- Rod end available in option
- Integrated Amplifier optional
- IP65 and IP67 optional

APPLICATIONS

- Process control equipment
- Cable stress tests benches
- Shock absorbers tests benches
- Structure fatigue tests
- Laboratory and Research

STANDARD RANGES

Ranges in N	10k	20k	50k	100k	200k	500k	1000k	2000k
Ranges in lbf	2k	4k	10k	20k	40k	100k	200k	400k
Stiffness in N/m	6×10^7	1×10^8	3×10^8	7×10^8	8.5×10^8	1.5×10^9	2×10^9	3.5×10^9
Stiffness in lbf/ft	4.1×10^6	6.9×10^6	2.1×10^7	4.8×10^7	5.8×10^7	1.0×10^8	1.4×10^8	2.4×10^8
Material	Aluminum	Stainless steel						

FN3002 Load Cell Tension and Compression

PERFORMANCE SPECIFICATIONS

Ambient Temperature: 20±1° C (unless otherwise specified)

PARAMETERS	
Operating Temperature Range (OTR)	-20 to 80° C [-4 to 176° F]
Compensated Temperature Range (CTR)	0 to 60° C [32 to 140° F]
Zero Shift in CTR	<0.5% F.S. /50° C [100° F]
Sensitivity Shift in CTR	<1% of reading / 50° C [100° F]
Range (F.S.)	0-10 to 0-2000 kN [0-2 to 0-400 klb]
Over-Range	
Without Damage	1.5 x F.S.
Without Destruction	3 x F.S.
Accuracy	
Combined Non-Linearity & Hysteresis	±0.25% F.S.

Electrical Characteristics

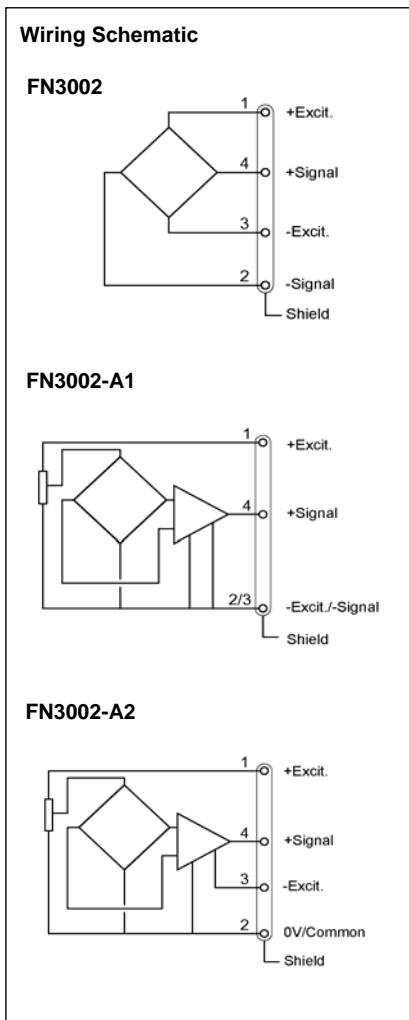
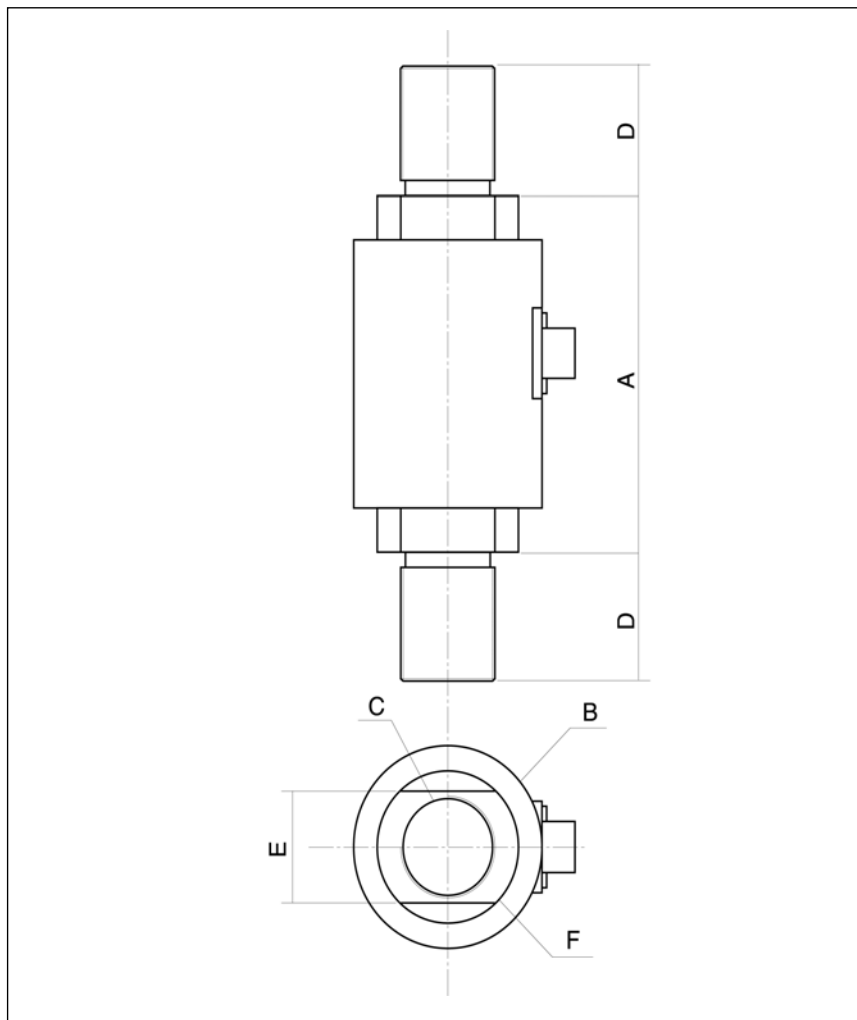
Model	FN3002	FN3002-A1	FN3002-A2
Supply Outage	10Vdc	10 à 30Vdc	±15Vdc (±12 to ±18Vdc)
F.S. Output	±2mV/V typical	±2V ±5% F.S	±5V ±5% F.S
Zero Offset	±5% F.S.	2.5V ±5% F.S.	0V ±5% F.S.
Input Impedance/Consumption	350 to 700Ω	<50mA	50mA
Output Impedance	350 to 700Ω	<10Ω	<10Ω
Insulation under 50Vdc	≥100MΩ	≥100MΩ	≥100MΩ

Notes

1. Electrical Termination: Connector output including mate
2. Materials: Body in stainless steel or aluminium alloy depending on F.S ; aluminum cover
3. Protection Index: IP50 (other protection levels on request)

FN3002 Load Cell Tension and Compression

DIMENSIONS & WIRING SCHEMATIC (IN METRIC AND IMPERIAL)



Dimensions in mm [inch]

Ranges in N [in lbf]	10k [2k]	20k [4k]	50k [10k]	100k [20k]	200k [40k]	500k [100k]	1000k [200k]	2000k [400k]
A	70 [2.76]	75 [2.95]	80 [3.15]	85 [3.35]	105 [4.13]	140 [5.51]	160 [6.30]	
B	40 [1.57]	50 [1.97]	55 [2.17]	65 [2.56]	85 [3.35]	115 [4.53]	150 [5.91]	
C (Thread)	M20x1.5	M22x1.5	M35x1.5	M45x1.5	M64x4	M80x2	M110x2	
D	25 [0.98]	25 [0.98]	32 [1.26]	40 [1.57]	70 [2.76]	100 [3.94]	115 [4.53]	
E	22 [0.87]	30 [1.18]	36 [1.42]	48 [1.89]	66 [2.60]	85 [3.35]	120 [4.72]	
F	30 [1.18]	40 [1.57]	45 [1.77]	55 [2.17]	75 [2.95]	95 [3.74]	130 [5.12]	
G	Aluminum	Stainless steel						

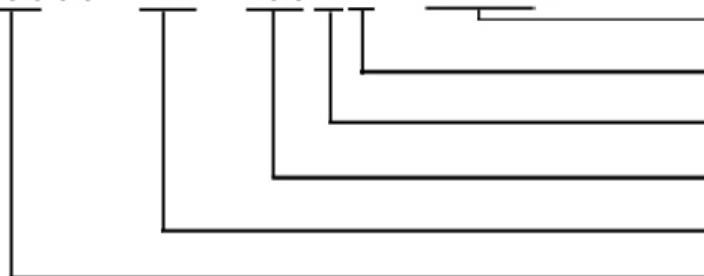
FN3002 Load Cell Tension and Compression

OPTIONS

A1 : Unipolar tension
A2 : Bipolar Tension
ET1 : CTR -20 to 100° C [-4 to 212° F] OTR = CTR
ET2 : CTR -40 to 120° C [-40 to 248° F] OTR = CTR
ET3 : CTR -40 to 150° C [-40 to 302° F] OTR = CTR (Note : Not available with A1 and A2 options)
AF : Female adapters
PE : Cable Gland Termination with 2 m [6.5 ft] cable
PE/LC"x" : Additional cable length to standard length (in m) with PE option (Note : "X" = Custom value)

ORDERING INFO

FN3000 - A1 - 100KN -/PE/ET1



Other Options (ET1, ET2, etc.)

Unit (N=Newtons)

Multiplier (K for ranges >1000)

Range

Power Supply Reference (None, A1, or A2)

Model

RECOMMENDED ACCESSORIES

ER : Rod Ends

NORTH AMERICA

Measurement Specialties Inc.
1000 Lucas Way
Hampton, VA 23666
USA
Tel: 1-757-766-1500
Fax: 1-757-766-4297
Sales: pvg.cs.amer@meas-spec.com

EUROPE

Measurement Specialties
(Europe), Ltd.
26 Rue des Dames
78340 Les Clayes-Sous-Bois,
France
Tel: +33 (0) 130 79 33 00
Fax: +33 (0) 134 81 03 59
pfg.cs.emea@meas-spec.com

ASIA

北京赛斯维测控技术有限公司
北京市朝阳区望京西路48号
金隅国际C1002
电话 : + 86 010 8477 5646
传真 : + 86 010 5894 9029
邮箱 : sales@sensorway.cn
<http://www.sensorway.cn>

The information in this sheet has been carefully reviewed and is believed to be accurate; however, no responsibility is assumed for inaccuracies. Furthermore, this information does not convey to the purchaser of such devices any license under the patent rights to the manufacturer. Measurement Specialties, Inc. reserves the right to make changes without further notice to any product herein. Measurement Specialties, Inc. makes no warranty, representation or guarantee regarding the suitability of its product for any particular purpose, nor does Measurement Specialties, Inc. assume any liability arising out of the application or use of any product or circuit and specifically disclaims any and all liability, including without limitation consequential or incidental damages. Typical parameters can and do vary in different applications. All operating parameters must be validated for each customer application by customer's technical experts. Measurement Specialties, Inc. does not convey any license under its patent rights nor the rights of others.